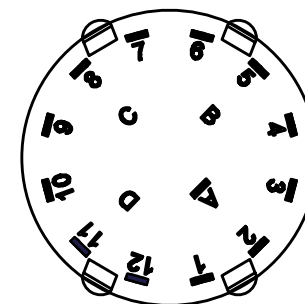
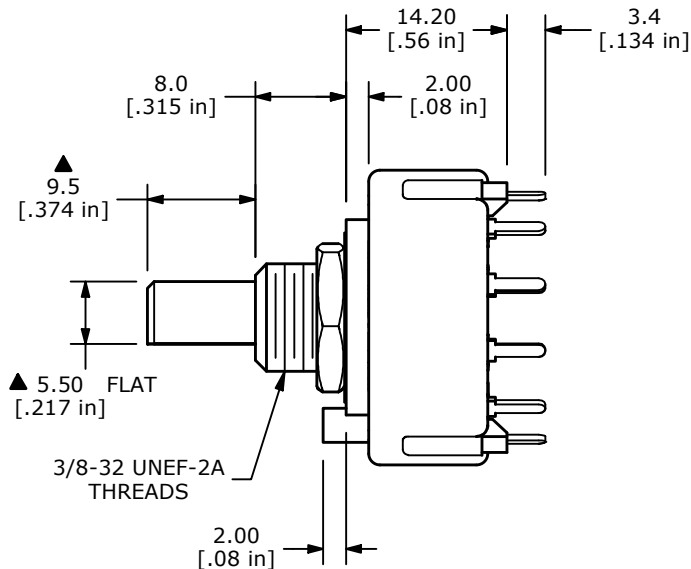
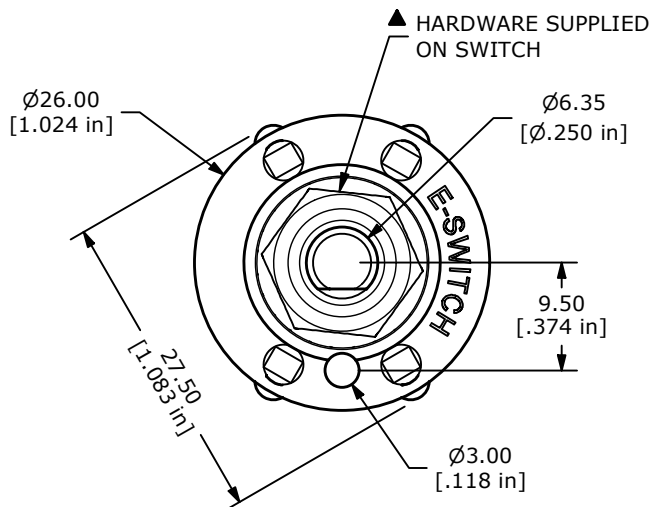
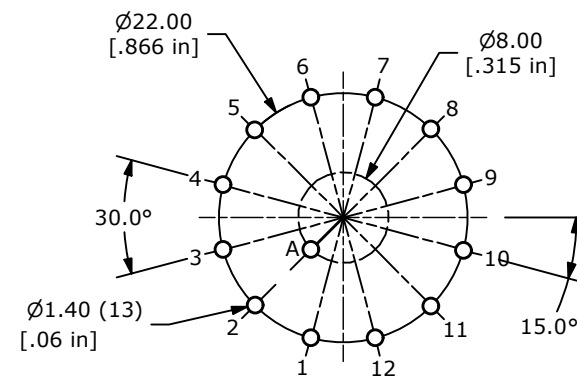


CONTACT CONFIGURATION
TIMING (BBM) NON-SHORTING



NOTE:

1. ALL DIMENSIONS IN MM[INCH].
2. GENERAL TOLERANCE: X.X = ± 0.4
X.XX = ± 0.25
3. TERM. NUMBERS FOR REFERENCE ONLY.
4. CONTACT MATERIAL: SILVER
5. CONTACT RATING: 150mA, 250VAC/DC
350mA, 110VAC/DC
6. CONTACT RATING (NON-SWITCHING) 5A
7. OPERATING FORCE: .8 ± .3kg-cm
8. OPERATING TEMP: -30°C to 85°C
- ▲ 9. CIRCUIT SP: 12 POSITION 30° INDEX.
10. DIELECTRIC STRENGTH: 500VAC FOR 1 MIN.
- ▲ 11. HARDWARE SUPPLIED ON SWITCH: LOCKWASHER, HEXNUT
12. ▲ DENOTES CRITICAL PARAMETER.



P.C.B MOUNTING LAYOUT



E	24267	updated print	5/12/20	MW
D	17410	REVISED AND REDRAWN	6/26/07	TN
REV	PCR NO	DESCRIPTION	DATE	BY

TITLE KC52A9.501NPS				
SCALE	DATE	DR	DWG	REV
1.5:1	6/26/2007	TN	G529690	E

THE INFORMATION CONTAINED IN THIS DOCUMENT IS PROPRIETARY TO E-SWITCH AND IS NOT TO BE COPIED OR TRANSFERRED